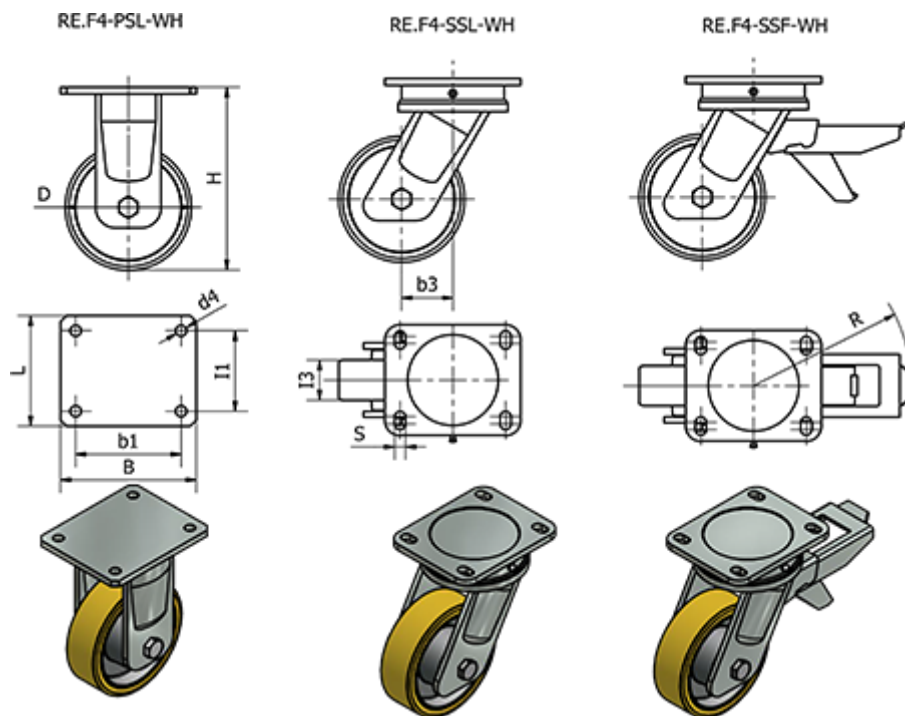


Article number: 2314451447

Description: E+G Cast iron wheel 451447
RE.F4-150-SSF-WH - Turning plate w/brake

Measures



B	= 135	I1	= 80
b1	= 105	I3	= 50
b3	= 60	L	= 110
Code	= 451447	R	= 157
D	= 150	Rolling resistance (N)	= 2900
d4	= -	s	= 11
Dynamic carrying capacity (N)	= 7000	Type	= RE.F4-150-SSF-WH
H	= 210	Weight (g)	= 5500